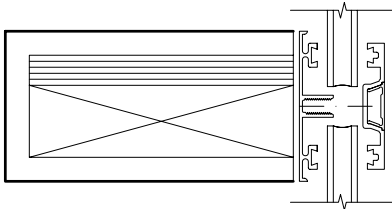
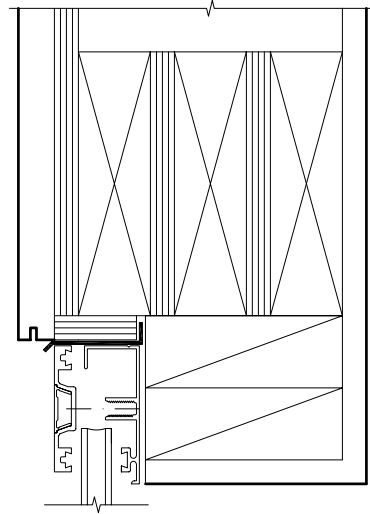
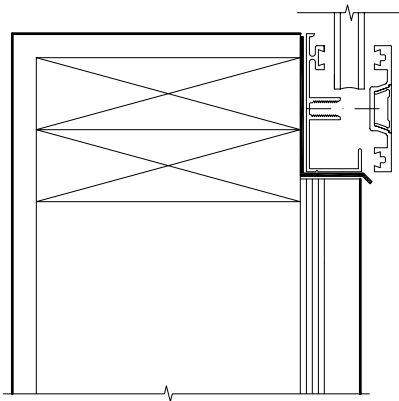
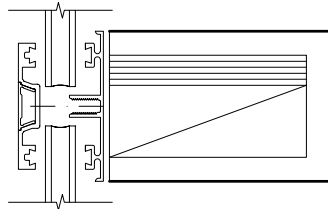


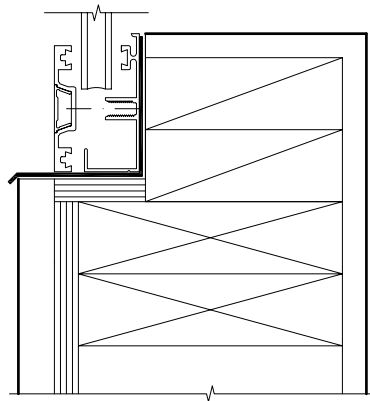
HEAD



MID-RAIL



SILL



FLUSH MOUNT

RECESSED

**Sure Seal
Glazing System**

Applications guidelines

© 2006 U.S. Sky

VERTICAL GLAZING

SCALE: 3" = 1'-0"

10